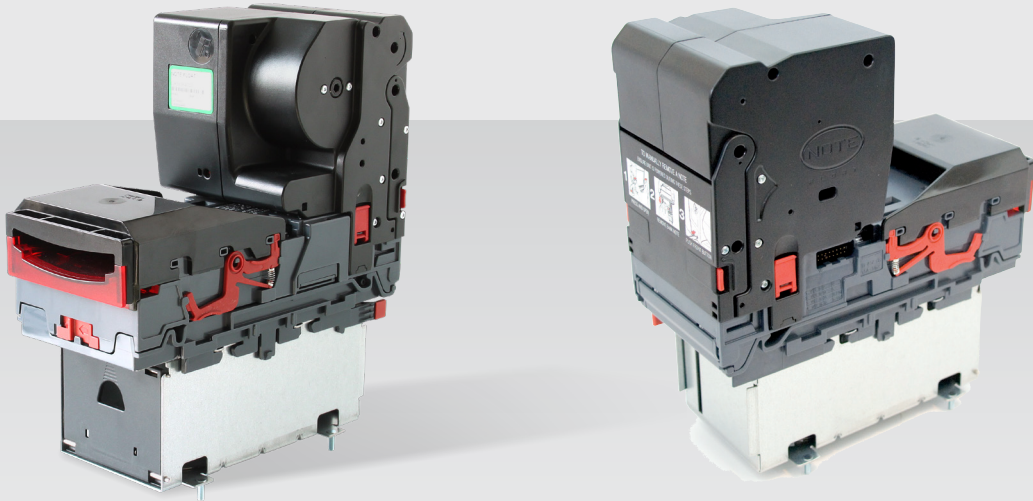


## NV11 USB+

### Market Leading Compact Note Recycler



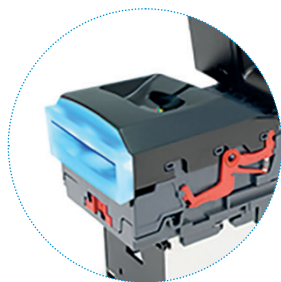
Combining an NV9 USB+ banknote validator and 'Note Float' payout unit, the NV11+ can store and recycle up to 30 notes. The NV11+ maximises cash efficiency and reduces coin starvation, significantly reducing operational costs. The NV11+ comes with a standard 300 note capacity cashbox. The NV11+ leaves the factory pre-set to at least one currency so is ready for immediate installation.

#### Features

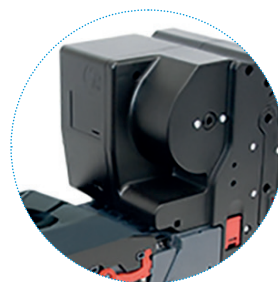
- ✓ 300 or 600 note storage capacity
- ✓ 30 note single denomination recycler
- ✓ Proven field reliability
- ✓ Accepts, validates and stores banknotes in less than 3 seconds
- ✓ Easy maintenance, free firmware updates
- ✓ Uses a secure encrypted protocol for data transfer

#### Benefits

- ✓ Maximises cash efficiency and reduces operational costs
- ✓ Lowest cost of ownership
- ✓ Future proof – quick & easy updates via USB, PC or handheld programmer
- ✓ Lowest operator collection costs

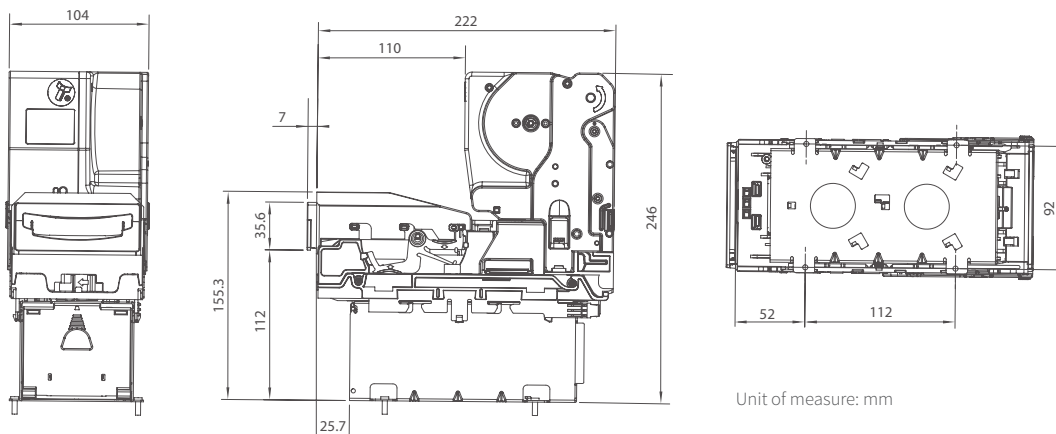


Bezel



Note Float Unit

## Technical Schematics



## Tools

### DA2 kit

Programming and communications tool, allowing direct communication between the ITL validator range and a PC.



### DA3 kit and DA3 Easy

Hand-held validator programming system that enables the user to re-program ITL banknote validators in the field, without the use of a PC. Once programmed the user can update or override existing software as well as test the functionality of the validator, away from the host machine.



## Protocols

- ✓ ccTalk
- ✓ SSP
- ✓ MDB

## Interface

- ✓ USB
- ✓ Open Collector

## Bezel Options

- ✓ 82 mm horizontal
- ✓ 82 mm chamfered
- ✓ Rainbow illumination

Note Float module

Removable bezel

Cashbox



## Technical Specifications

Dimensions (LxHxW)	104x246x229 mm
Weight	2,2 Kg
Power supply	12 Vdc +/- 10%
Current consumption	350 mA Standby – 3A Running – 3.5A Peak
Operating temperature	3°C ÷ 50°C 5 ÷ 95% humidity non-condensed
Note dimensions	Width 60-82 mm Length 115-150 mm
Speed	3 seconds
MCBF	200.000

## Capacity

Recycler capacity	30 notes
Cashbox options	<ul style="list-style-type: none"> <li>• 300 standard</li> <li>• 300 lockable</li> <li>• 300 / 600 slide</li> <li>• Stackerless</li> </ul>